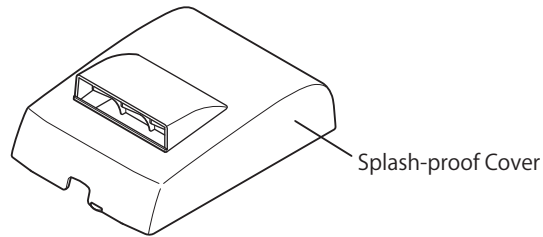


# TSP100/TSP650 Mounting the Splash-proof Cover

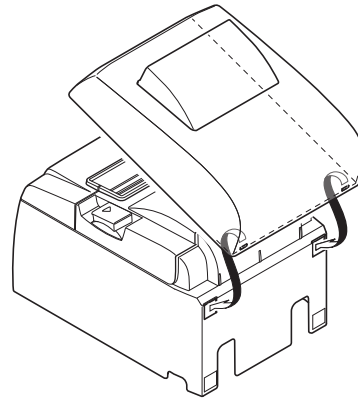
**1. Unpacking:** Check that all of the accessories are included.



## 2. Mounting Procedures:

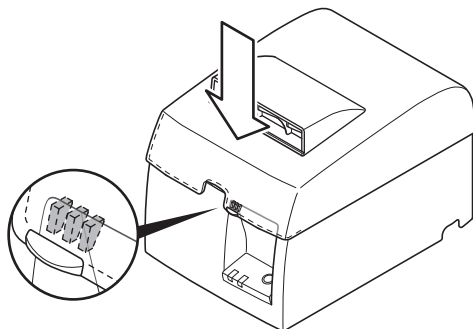
### 2-1 Mounting the Splash-proof Cover

- ① Hang the claws on the inside-backside of the splash-proof cover in the grooves on the backside of the printer.

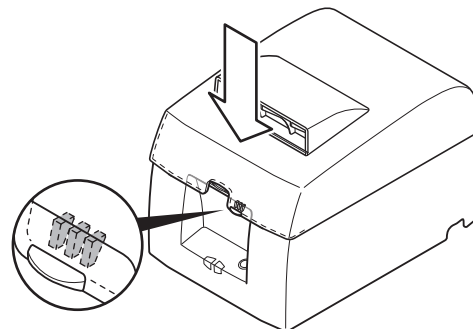


- ② Press the front side of the splash-proof cover to attach it.

**Note:** Firmly press the claws on the inside of the front surface of the splash-proof cover until they are in the openings of the printer operation panel to ensure the fit.



< TSP100 >



< TSP650 >

- ③ Lightly lift the leading edge of the splash-proof cover and check that there is no looseness in the splash-proof cover. If that can be confirmed, the mounting is complete.

**Note:**

- Do not attempt to lift the printer by the splash-proof cover. If you do, the cover can come lose, causing the printer to fall. That will damage the printer.
- The splash-proof cover does not fit when used on a vertical layout type.
- The splash-proof cover does not completely prevent moisture from getting inside the machine. If moisture gets inside, turn the power off and unplug the power plug from the AC outlet.

